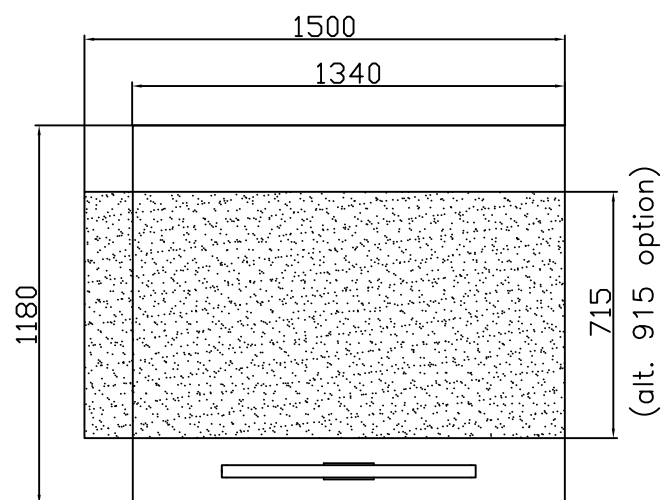
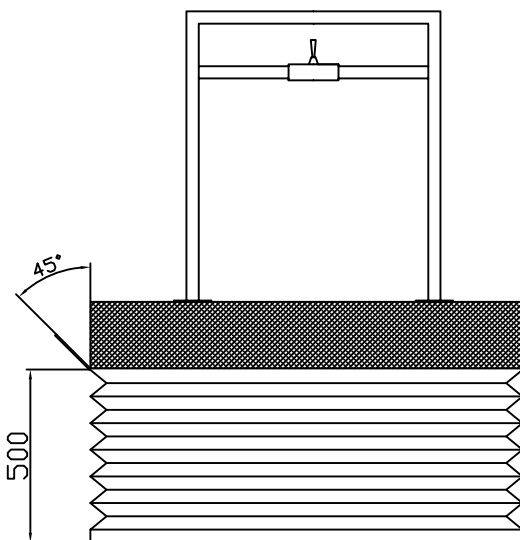
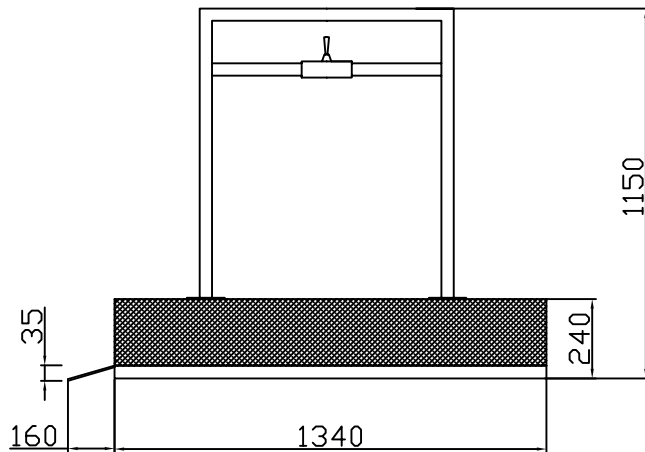
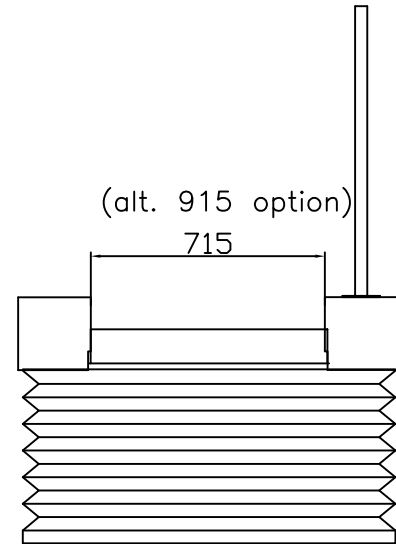


Hefplateau Mercurius

Technical specification

- Lifting capacity: 225Kg
- Lifting height: 500mm
- Main supply voltage: 230V AC
- Control voltage: 24V DC
- Lifting equipment: 2 pcs of linear actuators
- Lifting speed: 0,01m/sek
- Soft start/stop
- Joy-stick manouver
Bellows



Options:

- Wider platform (915mm)
- Additional handgrip on the other side
- Manouverhandle with spiralcable
- Manouverpanels on upper and lower level
- Longer ramp (250 mm)

