

Clearances

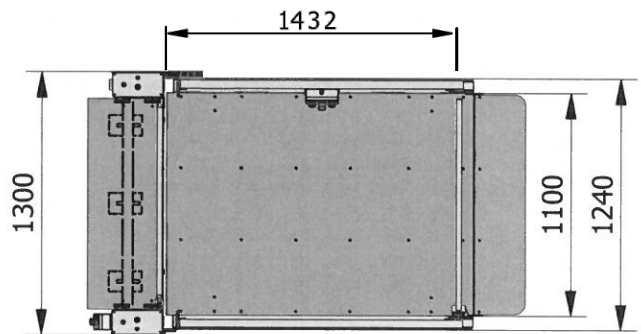
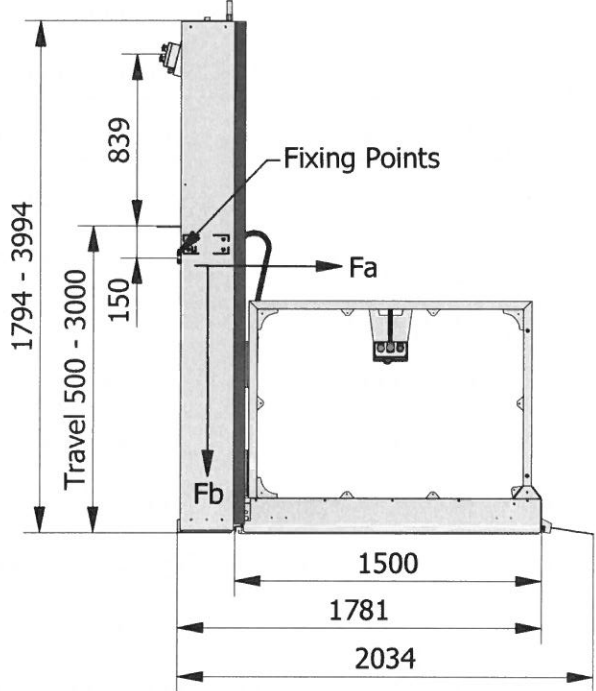
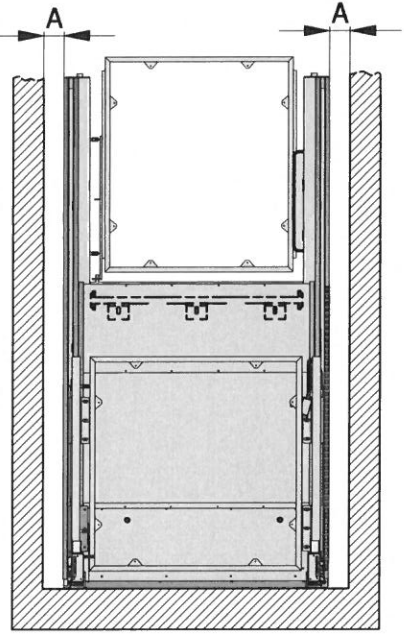
"A"
Horizontal distance to adjacent surface
100mm if smooth, 325mm if irregular

Anchors
Horizontal & Vertical 2 minimum (see installation information) for further details of substrate requirements and type

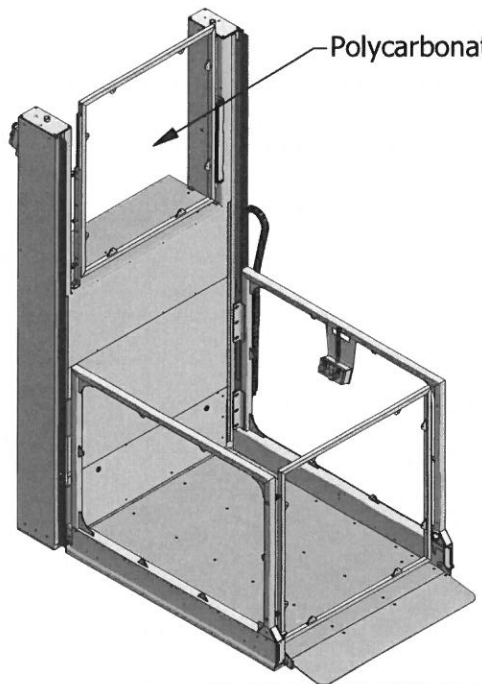
Platform floor finish
Standard - Aluminium chequer plate
Option - Altro walking 20

Electrical supply (Main switch)
1ph L, N, PE, 3 x 2,5mm² 16A

Technical Data
Rated capacity: 400kg / 2 person
Speed: 0,08m / s
Drive: 3 kW Electrical motor / Belt drive
Electrical Connection: Single phase, 3 x 2,5mm²
Control voltage: 24Volts
Soft start / Stop by frequency inverter
Drive system: Screw / Nut, double



Polycarbonate

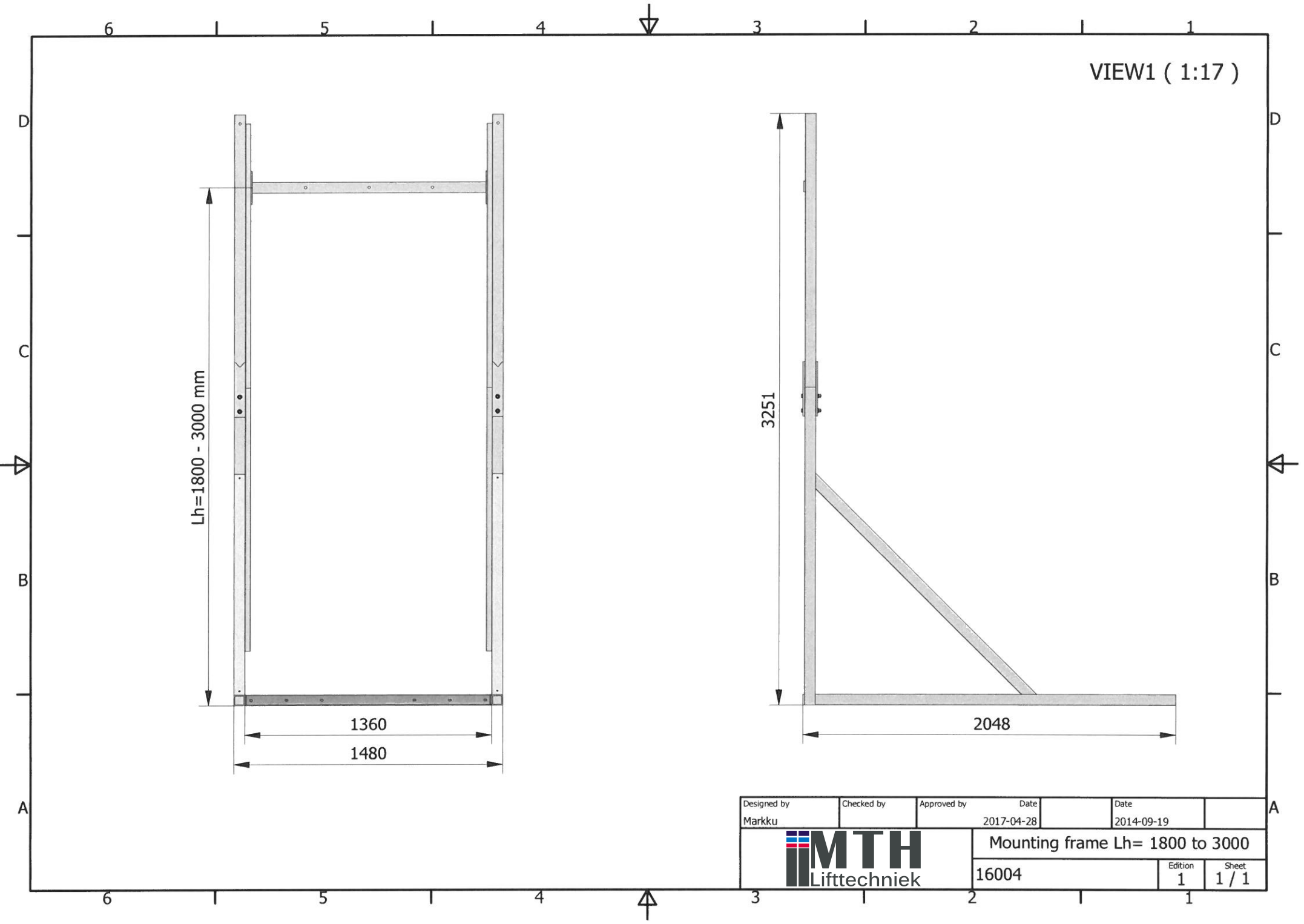



HORIZONTAL FORCES	
Fixing height mm	Total Anchor Force Fa, kN
400	21,5
600	17
800	14,5
1000	11,0
1200	8,5
1400	7,5
1600	6,5
1800	5,5
2000	4,5
2200	4
2400	3,5
2600	3,25
2800	3,0

Fb = Vertical force of 10kN spread over area of 1300x250mm

Designed by Markku	Checked by	Approved by	Date 2017-04-28	Date 2017-04-27
			Rolstoellift type Icarus	
			16003	Edition 1

VIEW1 (1:17)



Designed by Markku	Checked by	Approved by	Date 2017-04-28	Date 2014-09-19	
			Mounting frame $L_h = 1800$ to 3000		
			16004	Edition 1	Sheet 1 / 1