

Clearances

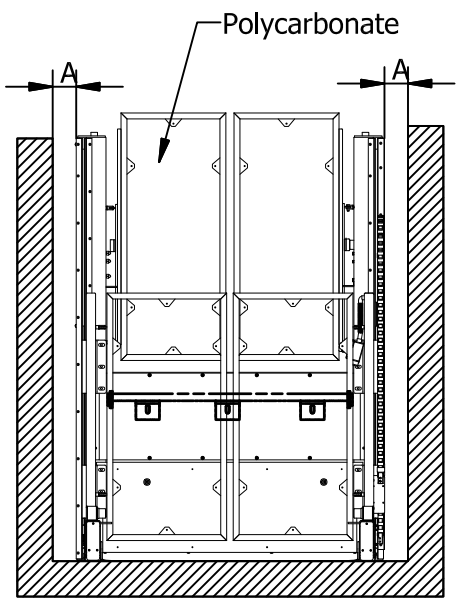
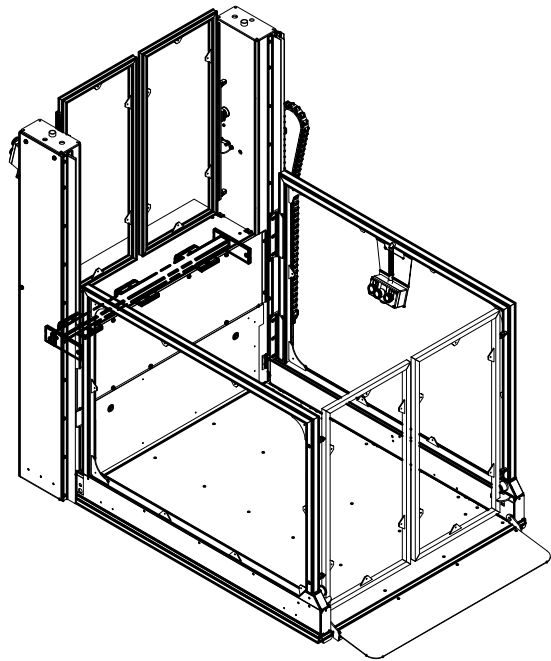
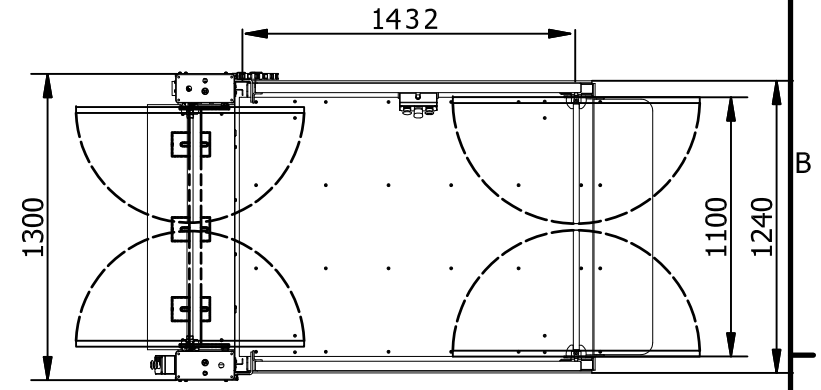
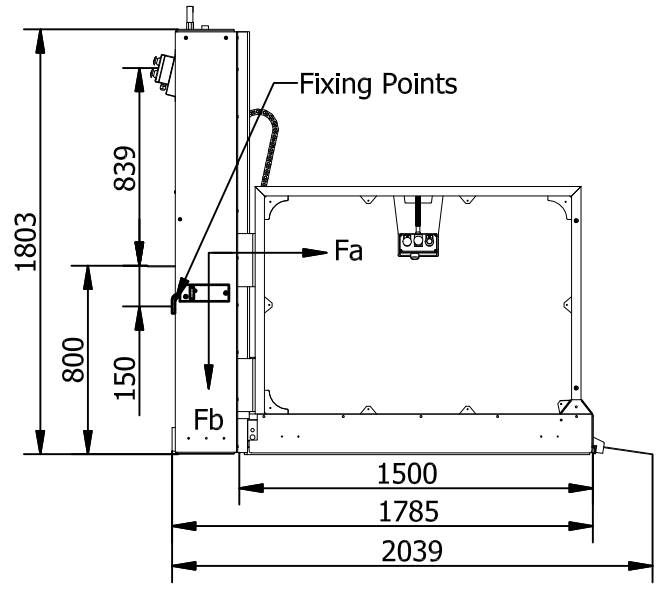
"A"
Horizontal distance to adjacent surface
100mm if smooth, 325mm if irregular

Anchors
Horizontal & Vertical 2 minimum (see installation information) for further details of substrate requirements and type

Platform floor finish
Standard - Aluminium chequer plate

Electrical supply (Main switch)
1ph L, N, PE, 3 x 2,5mm² 16A

Technical Data
Rated capacity: 400kg / 2 person
Speed: 0,08m / s
Drive: 3kW Electrical motor / Belt drive
Electrical Connection: Single phase, 3 x 2,5mm²
Control voltage: 24Volts
Soft start / Stop by frequency inverter
Drive system: Screw / Nut, dubble



HORIZONTAL FORCES	
Fixing height mm	Total Anchor Force Fa, kN
400	21,5
600	17
800	14,5
1000	11,0
1200	8,5
1400	7,5
1600	6,5
1800	5,5
2000	4,5
2200	4
2400	3,5
2600	3,25
2800	3,0

Fb= Vertical force of 10kN spread over a of 1300 x 250mm